

HIG48VDC/T

- Insulation monitoring devices HIG24VDC(-L), HIG48VDC(-L), HIG72VDC(-L), HIG110VDC(-L) are designed for the monitoring of the insulation status of DC IT systems with nominal voltage 24 V DC, 48 V DC, or 72 V DC or 110 V DC.
- The device continuously monitors the insulation status of both branches of the isolated IT system against a reference point. For stationary equipment this is usually the PE conductor, for mobile equipment it is the vehicle frame.
- If the insulation condition in the positive branch R+ or negative branch R- is faulty, this condition is signalled by setting relay KA1/KA2. The fault condition is also indicated by LEDs on the front panel.

- These devices are equipped with a display for showing the currently measured values. The display, together with the buttons is also used to set the device.
- HIG24VDC(-L)/T, HIG48VDC(-L)/T, HIG72VDC(-L), HIG110VDC(-L)/T are designed for railway use (EN 50155) to monitor the insulation condition of DC IT systems.

| Type | | HIG48VDC/T |
|--|-------------|--------------------------------------|
| Monitored IT power supply system type according to IEC 61557-8 | | DC |
| Measuring range of insulation resistance | R_F | $5 \div 990 \text{ k}\Omega$ |
| Adjustable range of critical insulation resistance | R_{an} | $5 \div 500 \text{ k}\Omega$ |
| Number of insulation resistance fault levels (R_{an}) | | 1 |
| Rated voltage of monitored IT system (DC) | U_n | 48 V |
| Nominal supply voltage DC | U_s | $32 \div 60 \text{ V}$ |
| IMD power supply | | From measured IT system |
| Power consumption | P | 2 VA |
| Measuring input's internal impedance | Z_i | $> 120 \text{ k}\Omega$ |
| Internal DC resistance | R_i | $> 120 \text{ k}\Omega$ |
| Measuring accuracy | | $\pm 10 \%$ |
| Equipped with display | | Yes (OLED technology) |
| Supported module of distant signalisation (MDS) | | MDS-D, MDS-DELTA |
| Communication interface for user | | RS485 bus |
| Communication protocol | | ISOLGUARD |
| External control inputs | | Test start, Deblocking function |
| Housing material | | Polyamid PA6, UL94 V-0 |
| Electrical strength against internal circuits | | 3 750 V |
| Degree of protection of front panel | | IP40 |
| Degree of protection except the front panel | | IP20 |
| Operating temperature | ϑ | $-25 \div 70 \text{ }^\circ\text{C}$ |
| Storage temperature | | $-40 \div 70 \text{ }^\circ\text{C}$ |
| Protection class according to IEC 61140 | | II |
| Recommended cross-section of connected conductors | S | 1 mm^2 |
| Installation | | On DIN rail 35 mm |

| Type | | HIG48VDC/T |
|--|---|---------------------|
| Modular width | | 2 TE |
| Recommended back-up fuse | | 6 A/gG |
| Use for traction | | Yes |
| Operating position | | Any |
| Operation type | | Permanent |
| Designed according to standards | | |
| Insulation monitoring devices for IT systems | | IEC 61557-8:2014 |
| Equipment for testing, measuring or monitoring of protective measures | | IEC 61557-1:2007 |
| Insulation coordination for equipment within low-voltage systems | | IEC 60664-1:2007 |
| Railway applications – Rolling stock – Electronic equipment | | EN 50155:2017 |
| Railway applications – Rolling stock equipment – Shock and vibration tests | | IEC 61373:2010 |
| Railway applications – Fire protection on railway vehicles | | EN 45545-2:2013 |
| Railway applications – Electromagnetic compatibility | | EN 50121-3-2:2016 |
| Application standards | | |
| Low-voltage electrical installations – Protection against electric shock | | HD 60364-4-41:2017 |
| Ordering, packaging and additional data | | |
| Mass | m | 124 g |
| Mass (including the packaging) | m | 148 g |
| Packaging dimensions (H x W x D) | | 60 x 113 x 73 mm |
| Packaging value | V | 0.5 dm ³ |
| Customs tariff no. | | 90303370 |
| EAN code | | 8590681123478 |
| Art. number | | 70 935/T |

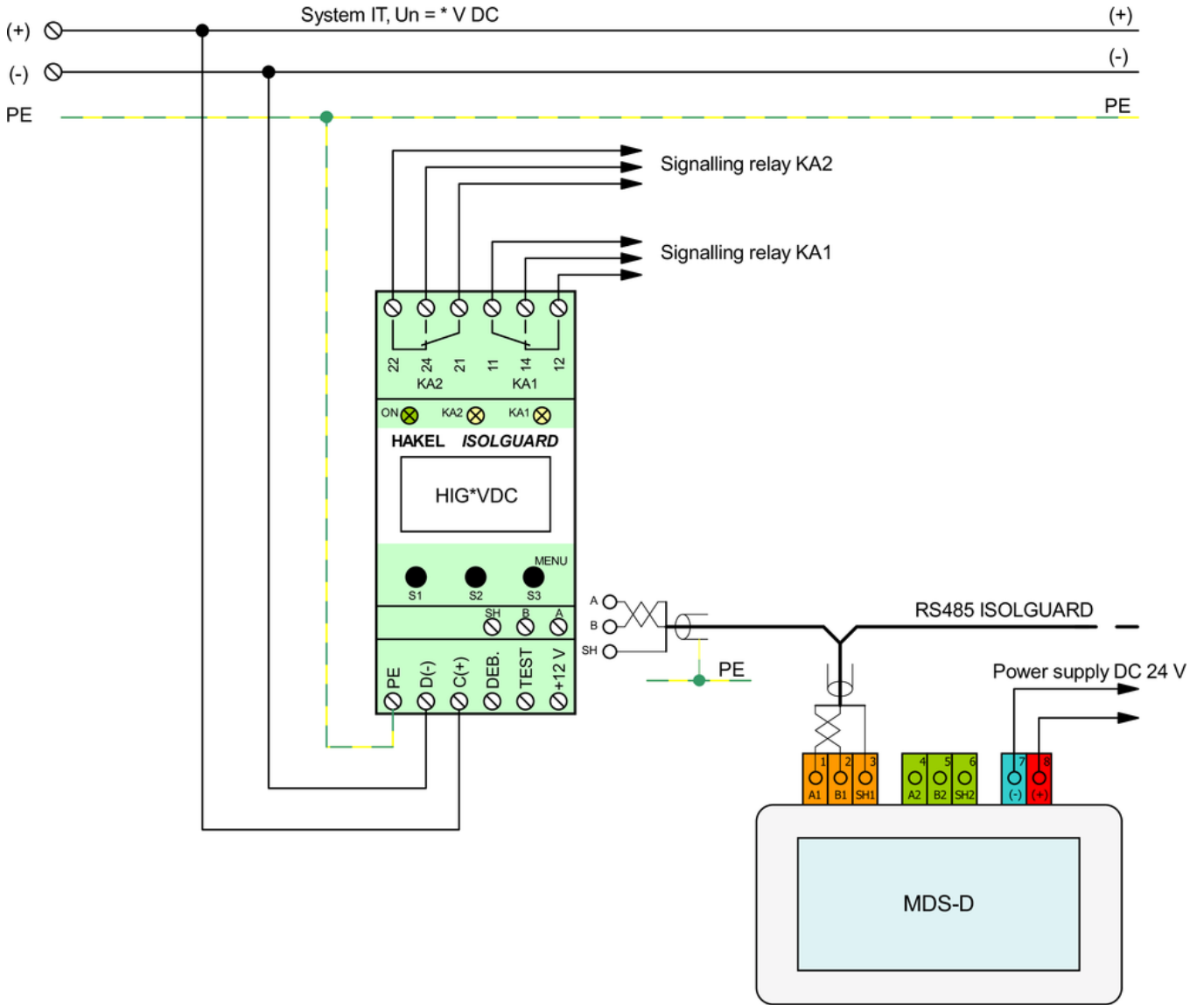


The link in the QR code leads to the online presentation of the HIG48VDC/T. There, in addition to the always up-to-date data sheet, you will also find all diagrams and drawings, declarations of conformity, or 2D or 3D models and other necessary materials. For more information, visit www.hakil.com



8590681123478

Application wiring diagram (installation) 1/2



Application wiring diagram (installation) 2/2

